

RFID Antenna - BRA-01CR

BRA-01CR is an advanced UHF 9dbic circularly polarization antenna with high gain and low VSWR. It has a compact structure and a beautiful appearance. It has double water waterproof design and the waterproof grade is IP67, which is suitable for some harsh working environments.



Tech Specs

Frequency Range	902 - 928 MHz
VSWR (Voltage Standing Wave Ratio)	≤1.3:1
Antenna Gain	>9 dBic
H side HPBW	70°
E side HPBW	70°
Polarization	Circular Polarization
Relative humidity	5% - 95%
Impedance	50±1Ω
Connector Type	N Female

Physical Characteristics

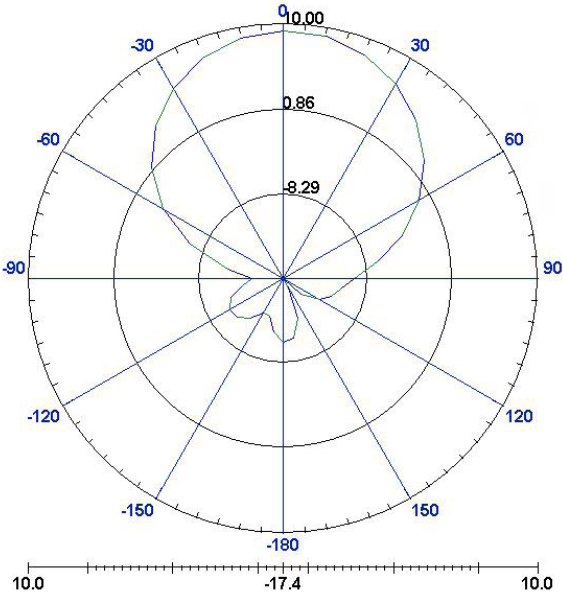
Dimensions	258mm×258mm×36mm
Weight	0.91kg (bracket excluded)
Material	Engineering plastics ASA, aluminum
Color	Milk-white
Ingress protection	IP67
Operating temperature	-40°C to +85°C

China Top RFID Hardware &
Software Solution Provider

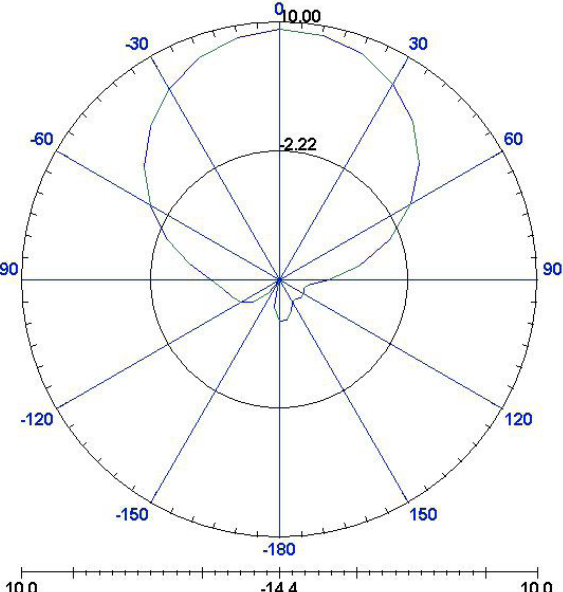
<https://nectcon.com/>



Radiation Pattern of Antenna

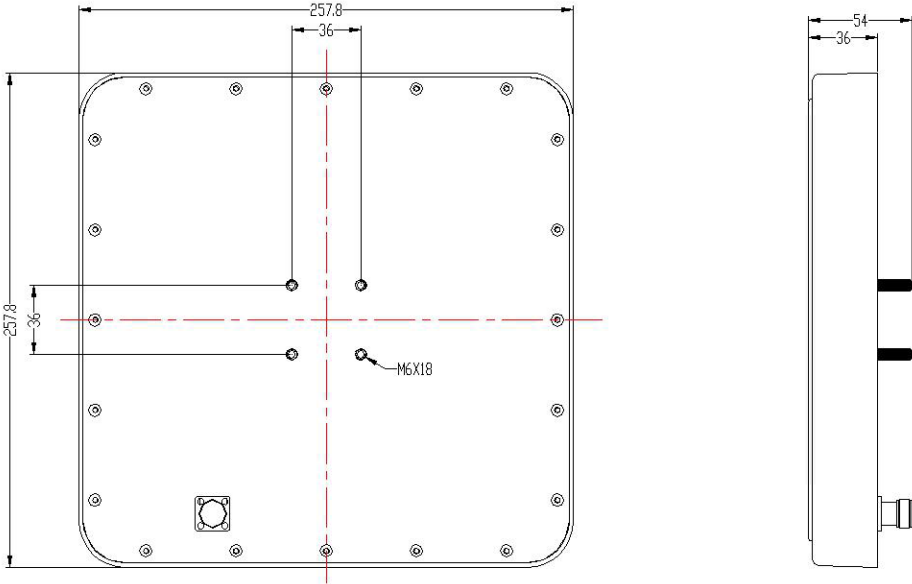


E



H

Dimensions & Package



BRA-01CR can be used outdoors, but it is not suitable for use in acid/alkali environments.
The bracket is an optional accessory.