

# RFID Antenna - BRA-01SR

BRA-01SR is a right-handed circular polarization antenna with high gain and low VSWR. It has a compact structure and a beautiful appearance. The waterproof rating is IP67, which is suitable for some harsh working environments.



## Tech Specs

Frequency Range	860 - 960 MHz
VSWR (Voltage Standing Wave Ratio)	≤1.3:1
Antenna Gain	>8.5 dBi
Polarization	Right-hand
Relative humidity	5% - 95%
Impedance	50±1Ω
Connector Type	RP-TNC Male

## Physical Characteristics

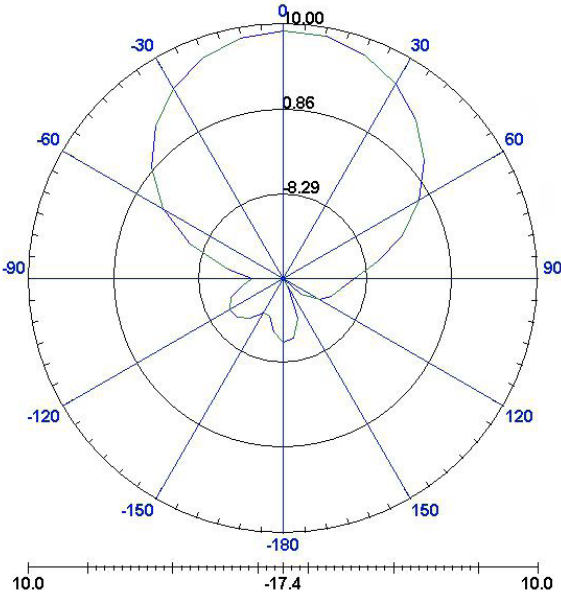
Dimensions	258mm×258mm×36mm
Weight	0.8kg
Material	Engineering plastics ASA, aluminum
Color	Milk-white
Ingress protection	IP65
Operating temperature	-40°C to +85°C

China Top RFID Hardware &  
Software Solution Provider

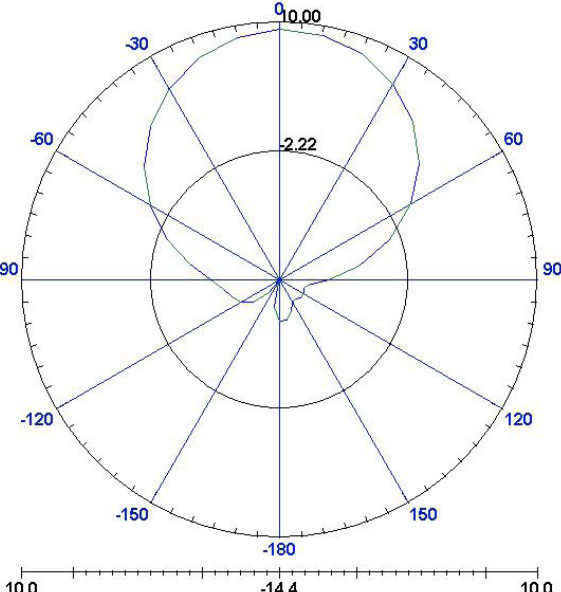
<https://nectcon.com/>



# Radiation Pattern of Antenna

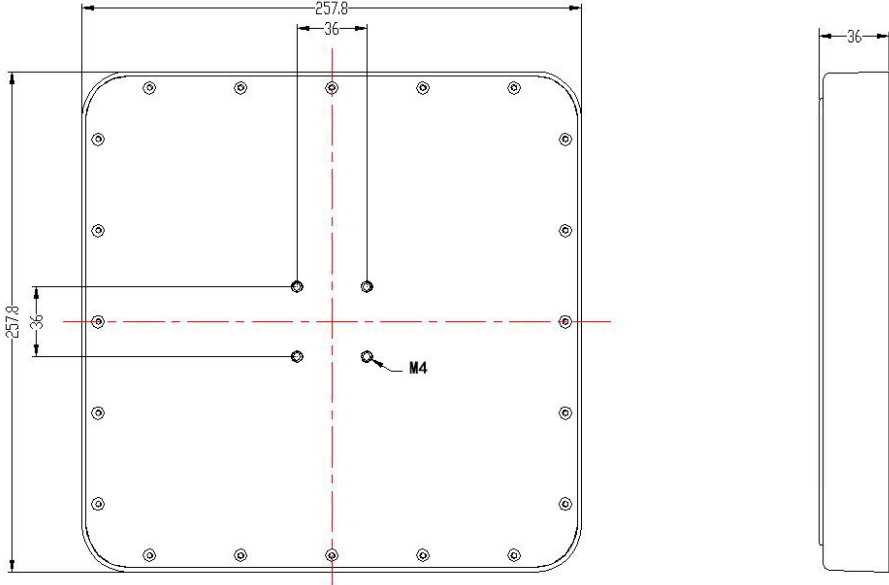


E



H

# Dimensions & Package



The bracket is an optional accessory.