

# RFID Antenna - BRA-09

BRA-09 is a near-field RFID antenna with an ultra-thin design, no blind zone, uniform field, etc. It is suitable for various applications like jewelry, retail POS, libraries, healthcare, etc.



## Tech Specs

Frequency Range	860MHz - 960MHz
VSWR (Voltage Standing Wave Ratio)	≤1.8:1
Relative humidity	5% - 95%
Impedance	50±1Ω
Connector Type	SMA-K (Customizable)

## Physical Characteristics

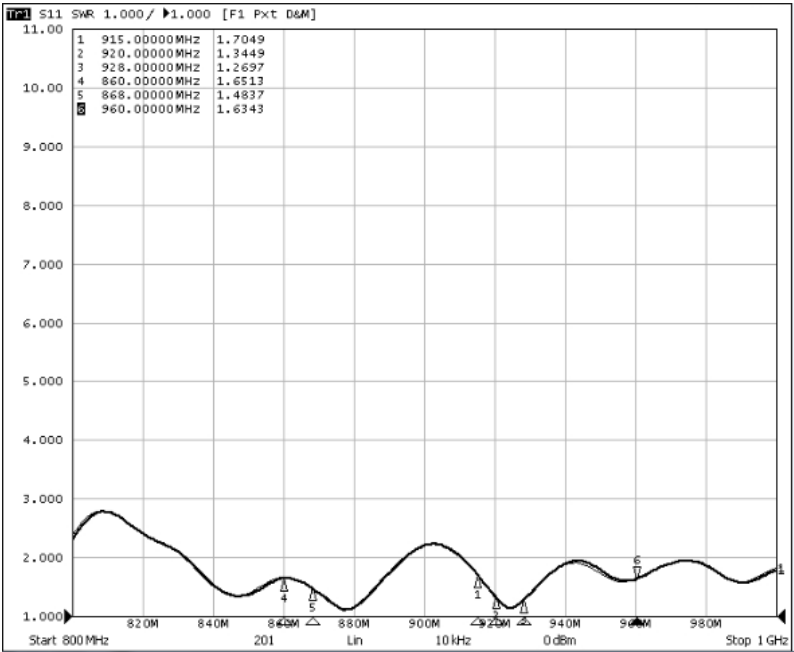
Dimensions	301mm×301mm×8.5mm
Weight	about 500g
Material	Aluminum, plastics
Color	Black
Ingress protection	IP54
Operating temperature	-30°C to +80°C

China Top RFID Hardware &  
Software Solution Provider

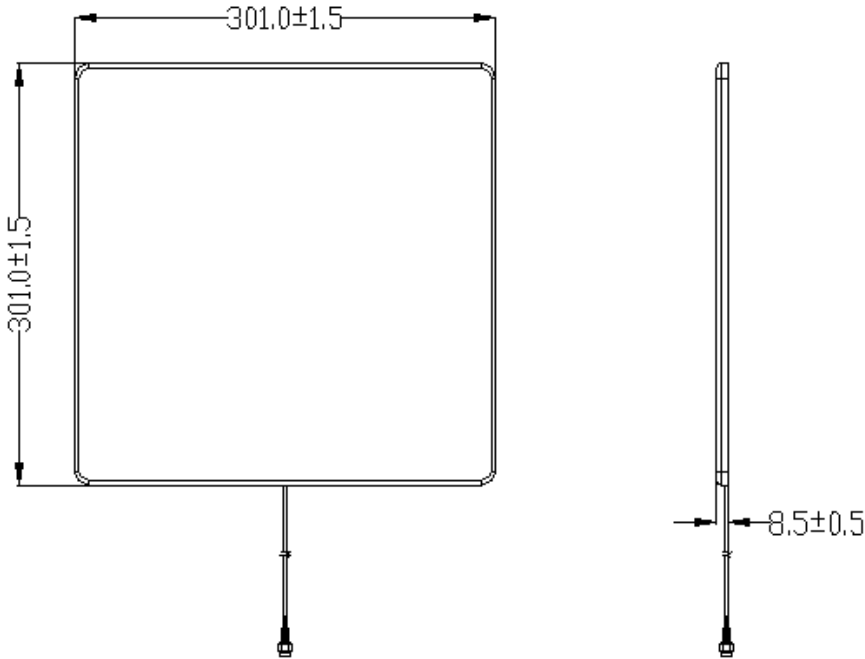
<https://nectcon.com/>



# VSWR



# Dimensions



China Top RFID Hardware & Software Solution Provider

<https://nectcon.com/>

