

RFID Antenna - BRA-15

BRA-15 is an advanced UHF 8dbic circularly polarization antenna with high gain and low VSWR. It has a compact structure and a beautiful appearance. The waterproof rating is IP65, which is suitable for some harsh working environments. BRA-15 Antenna is convenient in access control, warehousing, logistics, retail, and other UHF RFID application fields.



Tech Specs

Frequency Range	902 - 928 MHz
VSWR (Voltage Standing Wave Ratio)	≤1.3:1
Antenna Gain	>8 dBic
Beamwidth	90°x90°
Polarization	Circular Polarization
Front-to-Back Ratio	20dB
Relative humidity	5% - 95%
Impedance	50±1Ω
Connector Type	RP-TNC Female

Physical Characteristics

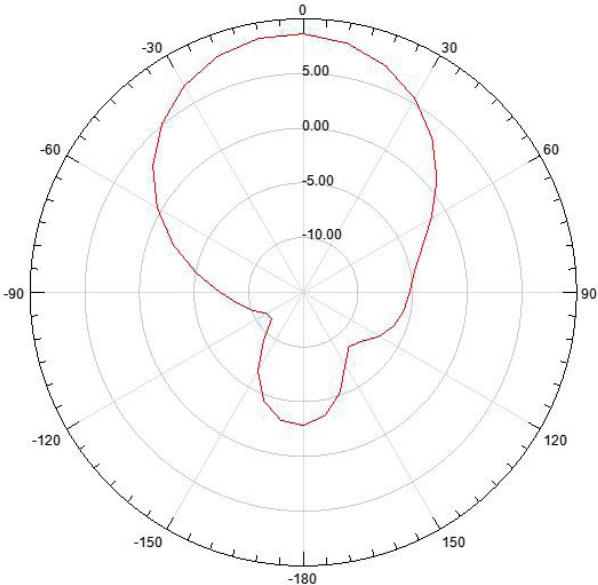
Dimensions	200mm×200mm×32mm
Weight	0.9kg (bracket excluded)
Material	Aluminum alloy, engineering plastics ASA
Color	Milk-white
Ingress protection	IP65
Operating temperature	-40°C to +85°C

China Top RFID Hardware &
Software Solution Provider

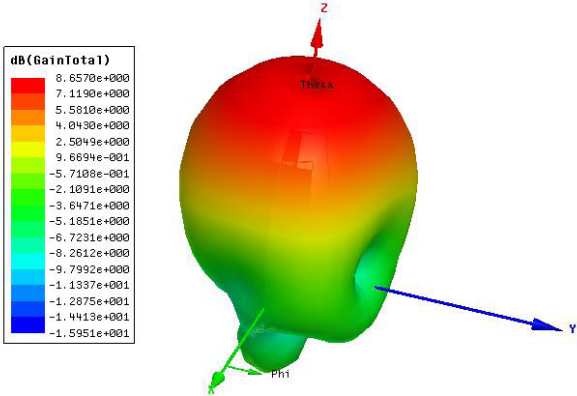
<https://nectcon.com/>



Radiation Pattern

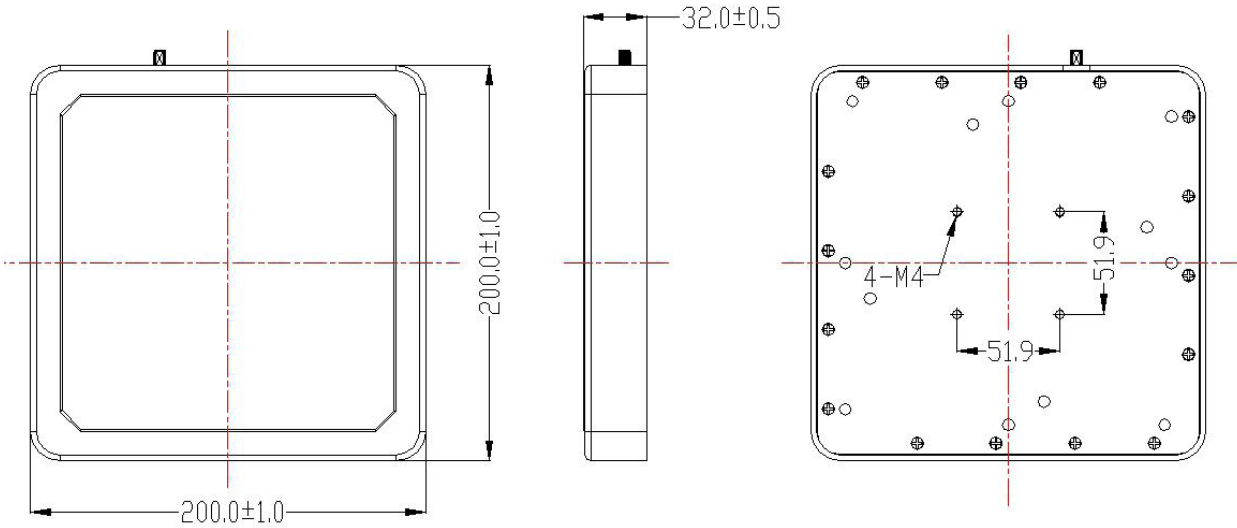


E



3D

Dimensions



BRA-15 can be used outdoors, but it is not suitable for use in acid/alkali environments.

The bracket is an optional accessory.