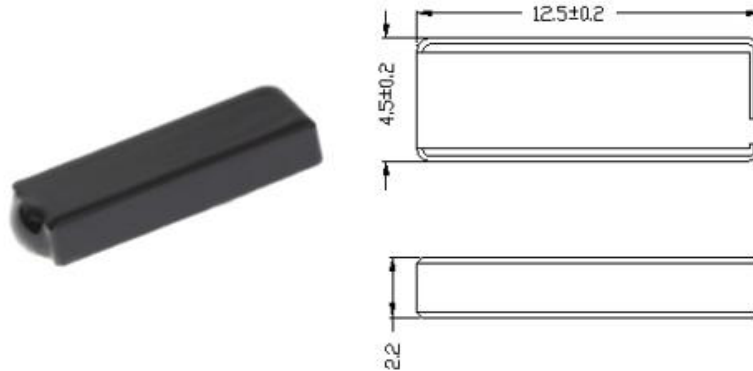


# UHF Ceramic Anti-metal RFID Tag - BRT-06

BRT-06 is a mini ceramic anti-metal tag specially designed to deal with complex environments such as metals. It has the characteristics of long reading distance, high sensitivity, and excellent physical properties. The extremely small size allows it to be used in more places.



## Tech Specs

<b>Operating frequency</b>	920 - 925 MHz
<b>Chip</b>	Impinj Monza R6 - P
<b>Sensitivity</b>	-6 dBm (Reading distance >2 meters)
<b>EPC</b>	128 bits
<b>User memory</b>	32 bits
<b>TID</b>	96 bits
<b>Protocol</b>	ISO 18000-6C, EPC global C1Gen2
<b>Function</b>	Readable and writable

## Physical Characteristics

<b>Dimensions</b>	13mm x 4.5mm x 2mm
<b>Weight</b>	about 1.5g
<b>Housing material</b>	Ceramic
<b>Operating temperature</b>	-20°C to +85°C
<b>Ingress protection</b>	IP65

China Top RFID Hardware &  
Software Solution Provider

<https://nectcon.com/>

