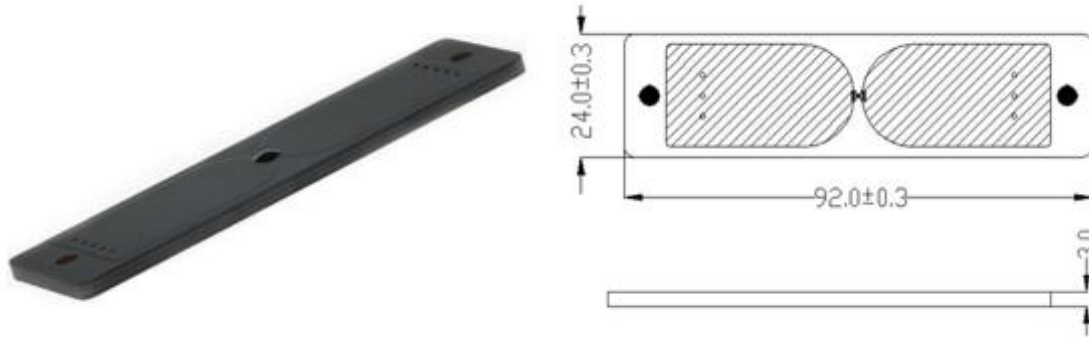


# UHF PCB Anti-metal RFID Tag - BRT-10

BRT-10 is an anti-metal tag specially designed to deal with complex environments such as metals. It has the characteristics of long reading distance, high sensitivity, and excellent physical properties.



## Tech Specs

<b>Operating frequency</b>	920 - 925 MHz	
<b>Chip</b>	Alien H3	Impinj Monza R6
<b>Sensitivity</b>	-17dBm (Reading distance >8 meters)	
<b>EPC</b>	96 bts, extensible to 496 bits	96 bits
<b>User memory</b>	512 bits	Non
<b>TID</b>	64 bits	96 bits
<b>Protocol</b>	ISO 18000-6C, EPC global C1Gen2	
<b>Function</b>	Readable and writable	

## Physical Characteristics

<b>Dimensions</b>	92mm x 24mm x 3.0mm	
<b>Weight</b>	about 6g	
<b>Housing material</b>	FR4	
<b>Operating temperature</b>	-20°C to +85°C	
<b>Ingress protection</b>	IP65	

China Top RFID Hardware & Software Solution Provider

<https://nectcon.com/>

