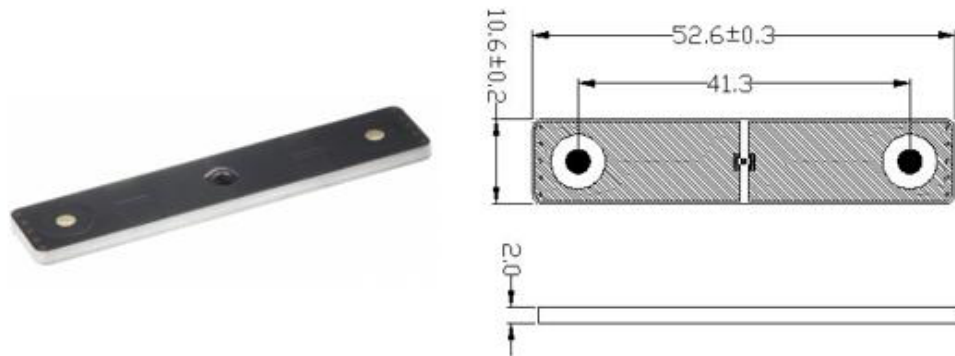


UHF PCB Anti-metal RFID Tag - BRT-28

BRT-28 is an anti-metal tag specially designed to deal with complex environments such as metals. It has the characteristics of long reading distance, high sensitivity, and excellent physical properties.



Tech Specs

Operating frequency	902 - 928 MHz
Chip	Impinj Monza R6
Sensitivity	-15dBm (Reading distance >6 meters)
EPC	96 bits
User memory	Non
TID	96 bits
Protocol	ISO 18000-6C, EPC global C1Gen2
Function	Readable and writable

Physical Characteristics

Dimensions	53mm x 11mm x 2mm
Weight	about 6g
Housing material	PCB
Operating temperature	-20°C to +85°C
Ingress protection	IP65

China Top RFID Hardware &
Software Solution Provider

<https://nectcon.com/>

