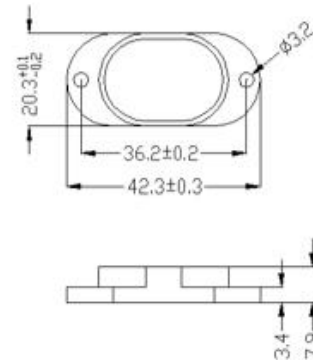


UHF Ceramic Anti-metal RFID Tag - BRT-33

BRT-33 is a high temperature resistant anti-metal UHF RFID tag specially designed to deal with complex environments such as metal and high temperature. It has the characteristics of long reading distance, high sensitivity, and convenient installation.



Tech Specs

Operating frequency	920 - 925 MHz
Chip	Alien H3
Sensitivity	-8dBm (Metal surface)
EPC	96 bits, extensible to 496 bits
User memory	512 bits
TID	64 bits
Protocol	ISO 18000-6C, EPC global C1Gen2
Function	Readable and writable

Physical Characteristics

Dimensions	42mm x 20mm x 8mm
Weight	about 15g
Housing material	High temperature resistant material
Operating temperature	-40°C to +230°C
Ingress protection	IP68